

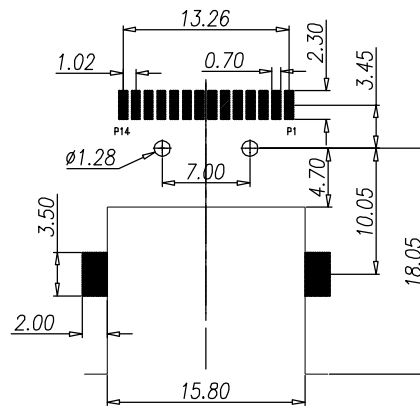
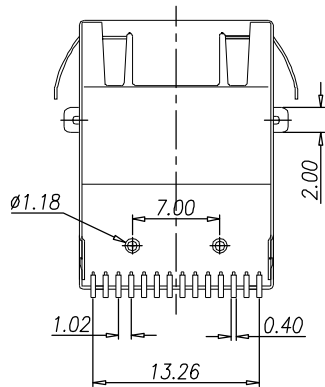
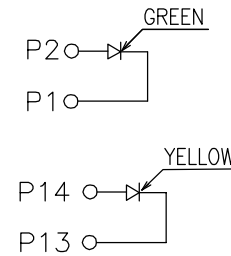
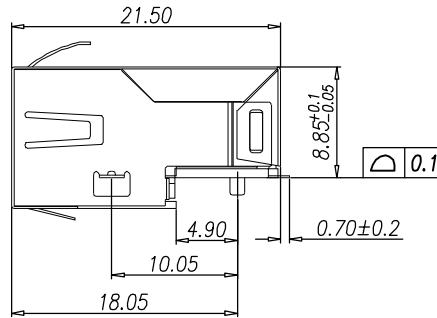
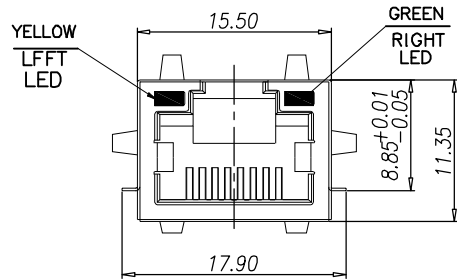
4	3	2	1
CATEGORY	DESCRIPTION	P/N #	
CONNECTOR	RJ45+Transformer YSMT 1000Mbps 1X1PORT		

REV.	ECN NO	DESCRIPTION	REVISED	DATE
A01		New Release	XSY	20014.07.26

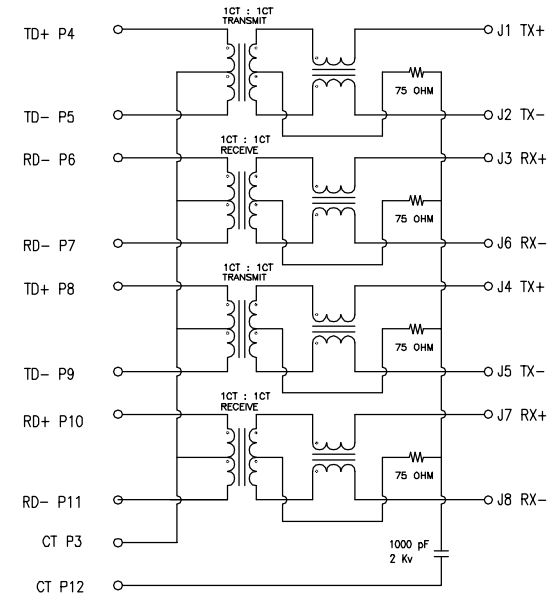
ELECTRICAL SPECIFICATIONS @ 25°C+/-5°C unless otherwise noted:

Insertion Loss: 1-100MHZ -1.0dB MAX
 Return Loss: 1-30MHZ -16.0dB MIN
 30-60MHZ -14.0dB MIN
 60-80MHZ -10.0dB MIN

Cross Talk: 1-30MHZ -40.0dB MIN
 30-60MHZ -35.0dB MIN
 60-80MHZ -30.0dB MIN



RECOMMENDED PCB LAYOUT (TOP VIEW)
 (ALL TOLERANCES ARE ±0.05)



CMR:1-100MHZ -35.0dB MIN
 Hi-Pot: 1500v AC 6S 1mA
 OCL:350uH MIN @ 100KHZ 100mV 8mA DC
 Turn Ratio: 1CT:1CT+/-3% Housing Material: LCP UL94V-0 Black
 Operating temperature range:0°C to +70°C
 Contacts: 0.35mm thick phos bronze plated with 6u' gold in contact area

Coorle 库乐科技

UNLESS OTHERWISE SPECIFIED TOLERANCES	SCALE:1/1	UNIT: mm	DWG.NO:
	SIZE: A3	PAGE:1 OF 1	REV:A01
UNIT: mm	APPROVED BY	CHECKED BY	PREPARED BY
.XX :±0.25 .XXX :±0.13	Tony	Bill	XSY
CUSTOMER COPY			